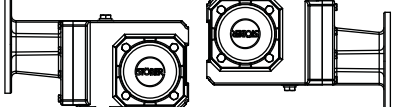
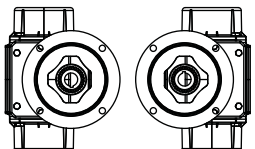
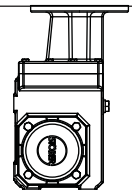
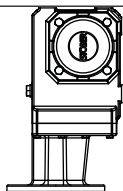




# Lubrication Quantity

## "KSS" Series – Right Angle Helical/Bevel

**GENERAL PURPOSE** Lubricant Quantity – Mounting Position **MUST** be Specified.

UNIT	MOUNTING POSITION							
								
	<b>E12</b>		<b>E34</b>		<b>EL5</b>		<b>EL6</b>	
	ozs.	liters	ozs.	liters	ozs.	liters	ozs.	liters
<b>KSS102</b>	19.3	0.57	18.9	0.56	31.4	0.93	23.0	0.68
<b>KSS202</b>	40.2	1.10	32.4	0.96	55.1	1.63	41.2	1.22
<b>KSS203</b>	43.3	1.28	44.0	1.30	58.2	1.72	48.7	1.44
<b>KSS302</b>	49.3	1.46	49.0	1.45	81.1	2.40	58.8	1.74
<b>KSS303</b>	52.7	1.88	69.3	2.05	85.2	2.52	69.3	2.05