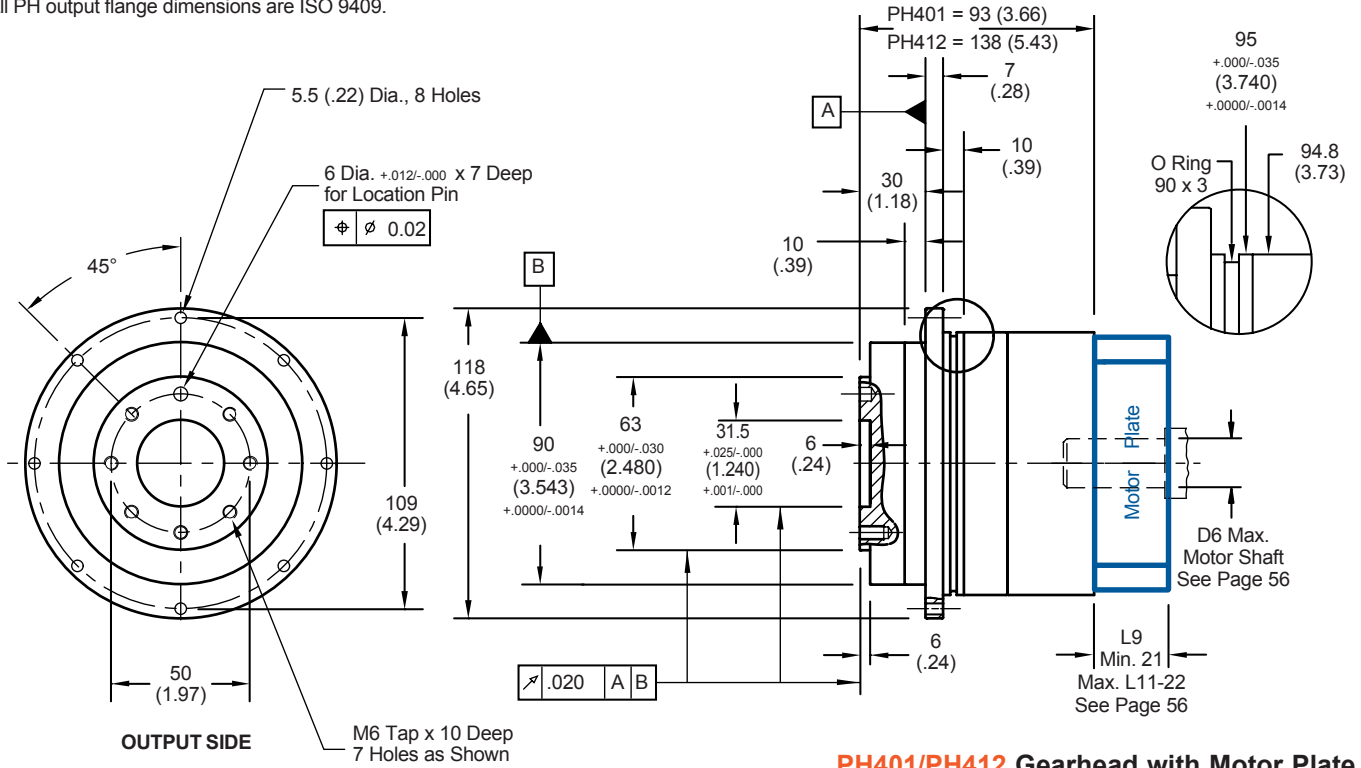




"PH" Series—PowerLine ServoFit® Precision Planetary Gearhead Dimensional Data



Dimension shown in millimeters (inches).
All PH output flange dimensions are ISO 9409.



See web site for drawings.

"PH" Series—PowerLine

PH401/PH412 Gearhead with Motor Plate

PH401/PH412 Gearhead with Input Shaft

Table No. 1 Dimensions

	B7 g6		B8 g6		D7 k6
	mm	ins.	mm	ins.	
PH401	52	2.047	58	2.283	16
	-0.10/-0.29	-0.0004/-0.011	-0.12/-0.34	-0.0005/-0.013	+0.12/+0.01
PH412	45	1.772	-	-	12
	-0.10/-0.29	-0.0004/-0.011	-	-	+0.12/+0.01

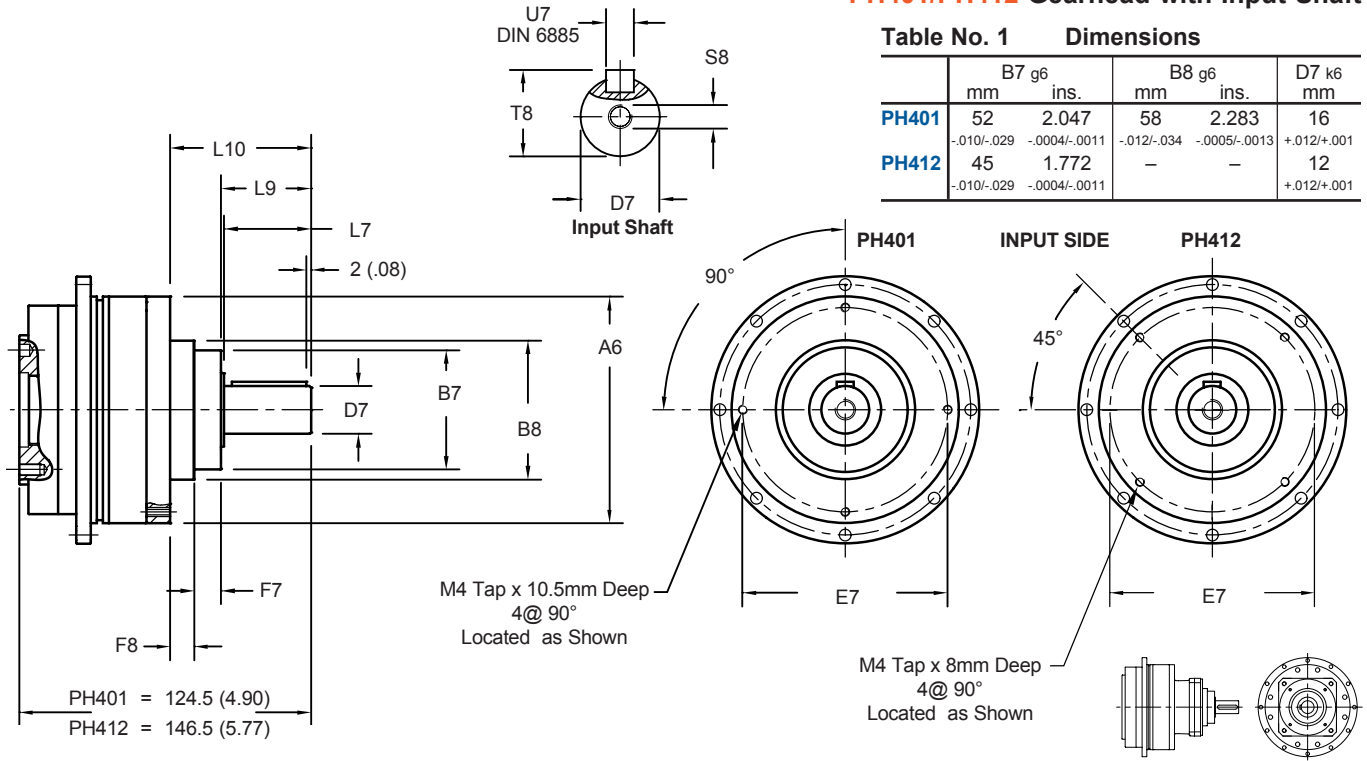


Table No. 2 "PH401/P412" Series – Gearhead with Input Shaft – Dimensions

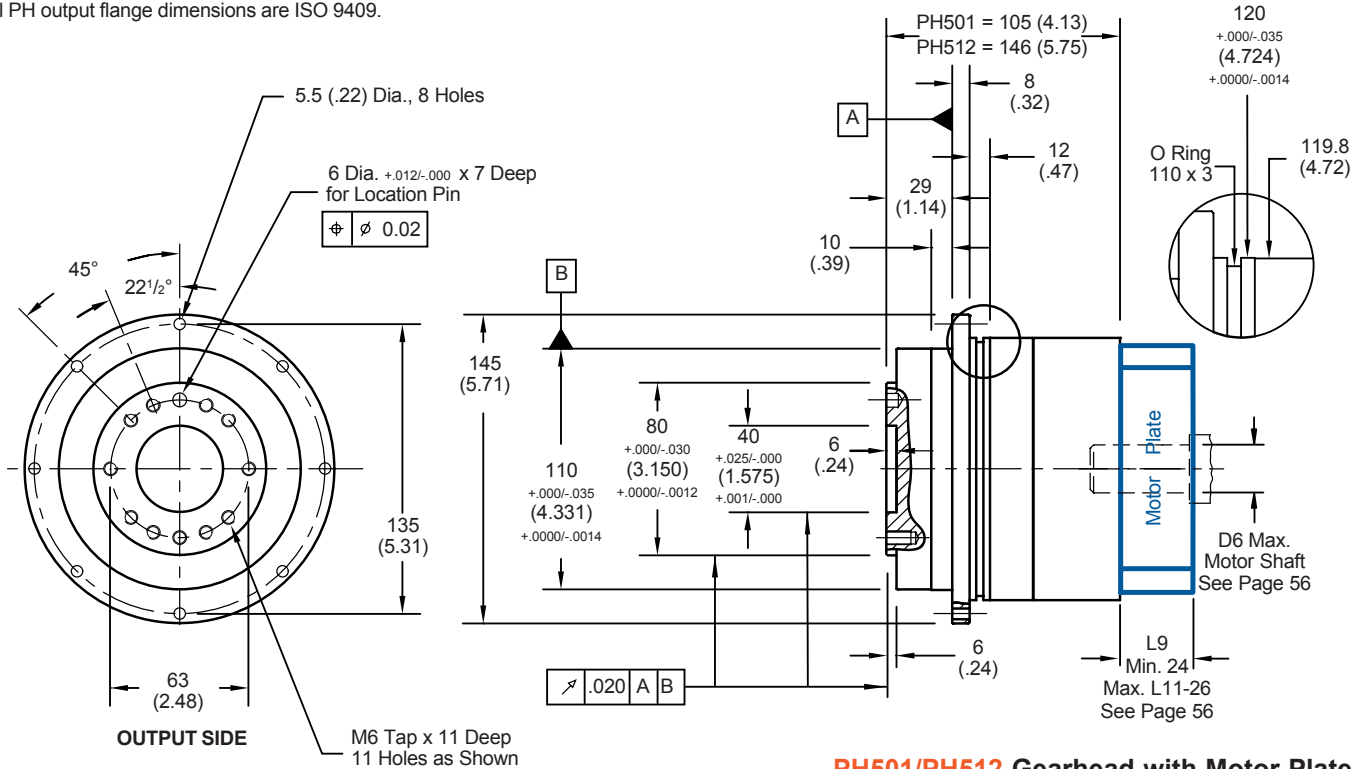
	A6		E7		F7		F8		L7		L9		L10		S8	T8		U7
	mm	ins.	mm	ins.	mm	ins.	mm	ins.	mm	ins.	mm	ins.	mm	ins.		mm	ins.	
PH401	94.8	3.73	84	3.31	14	0.55	10	0.39	28	1.10	30	1.18	54	2.13	M5	18	0.71	A5x5x22
PH412	72	2.83	55.5	2.19	10.5	0.41	-	-	18	0.71	18.5	0.73	29	1.14	M4	13.5	0.53	A4x4x14



"PH" Series–PowerLine ServoFit® Precision Planetary Gearhead Dimensional Data



Dimension shown in millimeters (inches).
All PH output flange dimensions are ISO 9409.



See web site for drawings.

"PH" Series–PowerLine

PH501/PH512 Gearhead with Motor Plate

PH501/PH512 Gearhead with Input Shaft

Table No. 1 Dimensions

	B7 g6		B8 g6		D7 k6
	mm	ins.	mm	ins.	mm
PH501	60	2.362	66	2.598	22
	-0.10/-0.029	-0.0004/-0.0011	-0.10/-0.029	-0.0004/-0.0011	+0.015/+0.002
PH512	52	2.047	58	2.283	16
	-0.10/-0.029	-0.0004/-0.0011	-0.12/-0.034	-0.0005/-0.0013	+0.012/+0.001

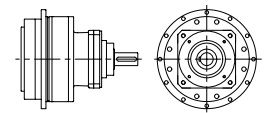
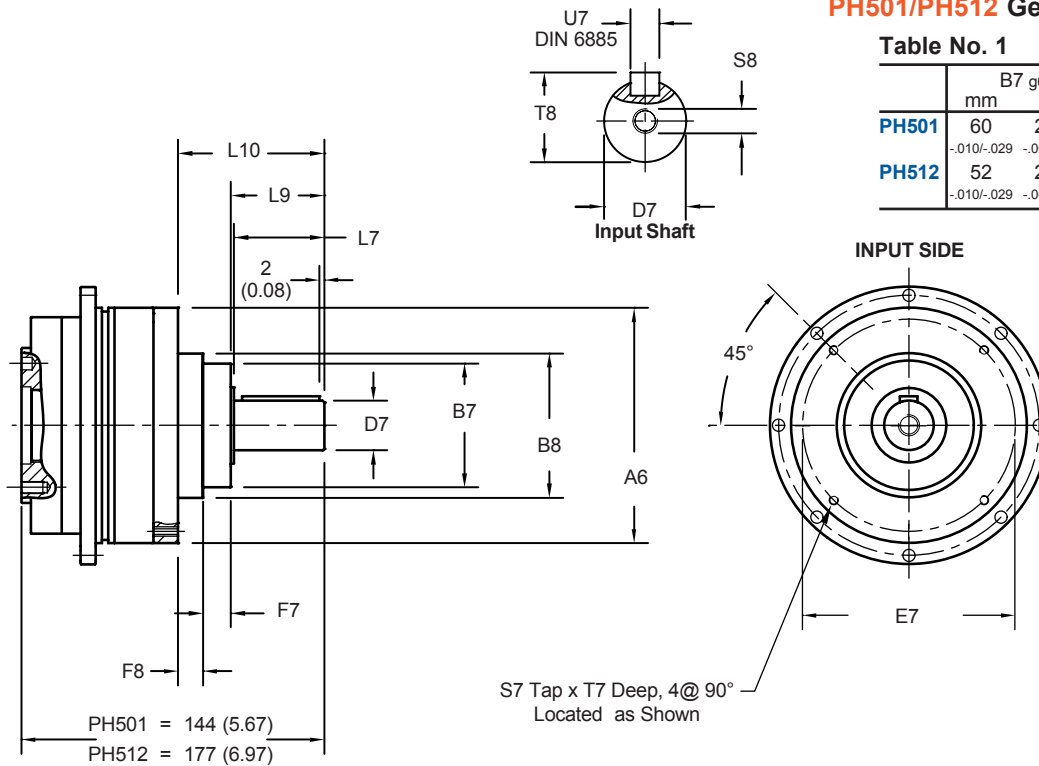


Table No. 2 "PH501/PH512" Series – Gearhead with Input Shaft – Dimensions

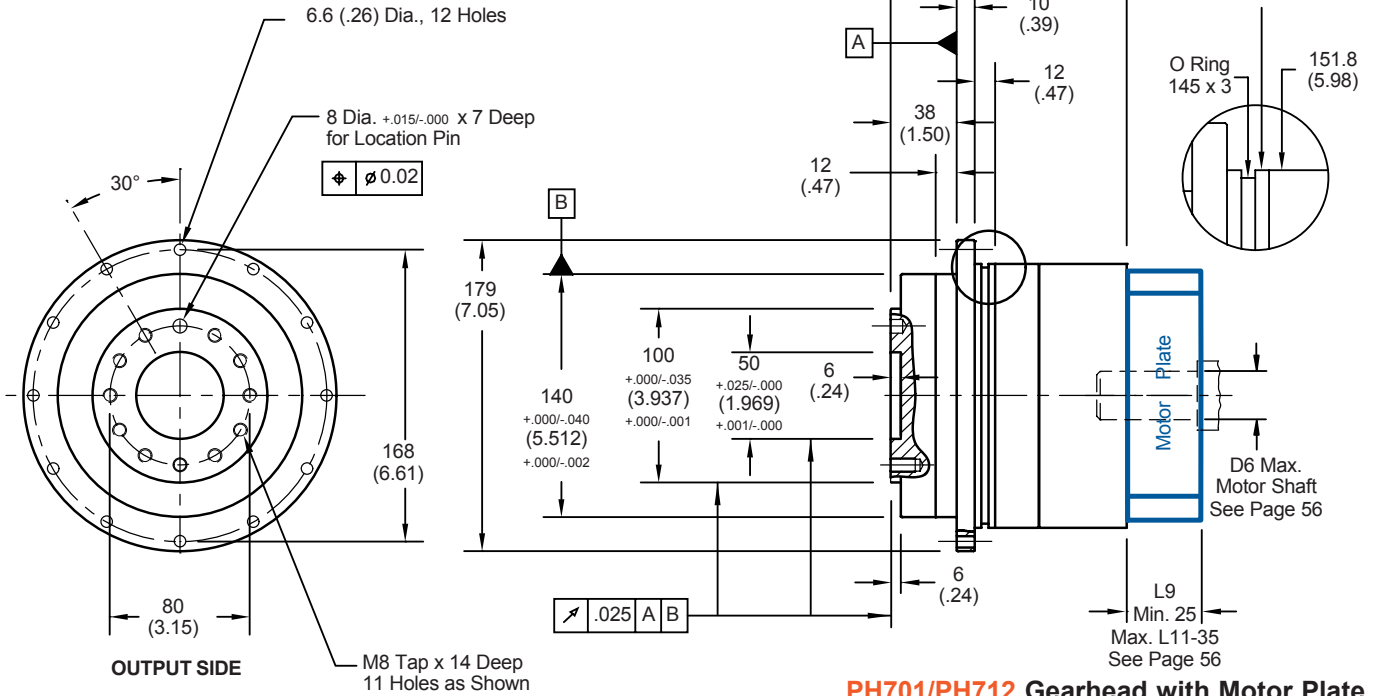
	A6		E7		F7		F8		L7		L9		L10		S7	S8	T7		T8		U7
	mm	ins.	mm	ins.	mm	ins.	mm	ins.	mm	ins.	mm	ins.	mm	ins.			mm	ins.	mm	ins.	
PH501	119.8	4.72	107	4.21	14	0.55	13	0.51	36	1.42	38	1.50	65	2.56	M5	M8	14	0.55	24.5	0.96	A6x6x30
PH512	98	3.86	74	2.91	10	0.39	11	0.43	28	1.10	30	1.18	51	2.01	M4	M5	6	0.24	18	0.71	A5x5x22



"PH" Series—PowerLine ServoFit® Precision Planetary Gearhead Dimensional Data



Dimension shown in millimeters (inches).
All PH output flange dimensions are ISO 9409.



See web site for drawings.

PH701/PH712 Gearhead with Motor Plate

PH701/PH712 Gearhead with Input Shaft

Table No. 1 Dimensions

	B7 g6		B8 g6		D7 k6
	mm	ins.	mm	ins.	
PH701	80	3.150	93	3.661	32
	-.010/- .029 -.0004/- .0011		-.012/- .034 -.0005/- .0013		+.018/+ .002
PH712	60	2.362	66	2.598	22
	-.010/- .029 -.0004/- .0011		-.010/- .029 -.0004/- .0011		+.015/+ .002

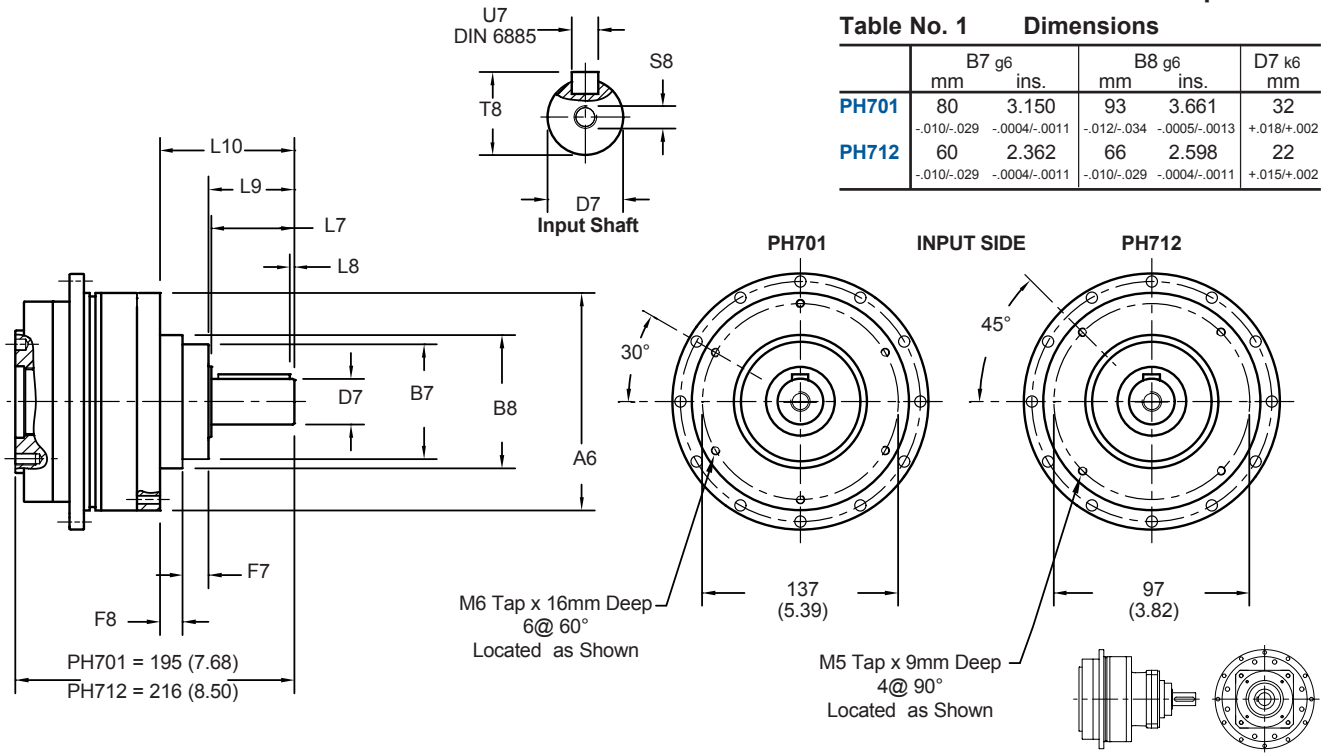


Table No. 2 "PH701/PH712" Series – Gearhead with Input Shaft – Dimensions

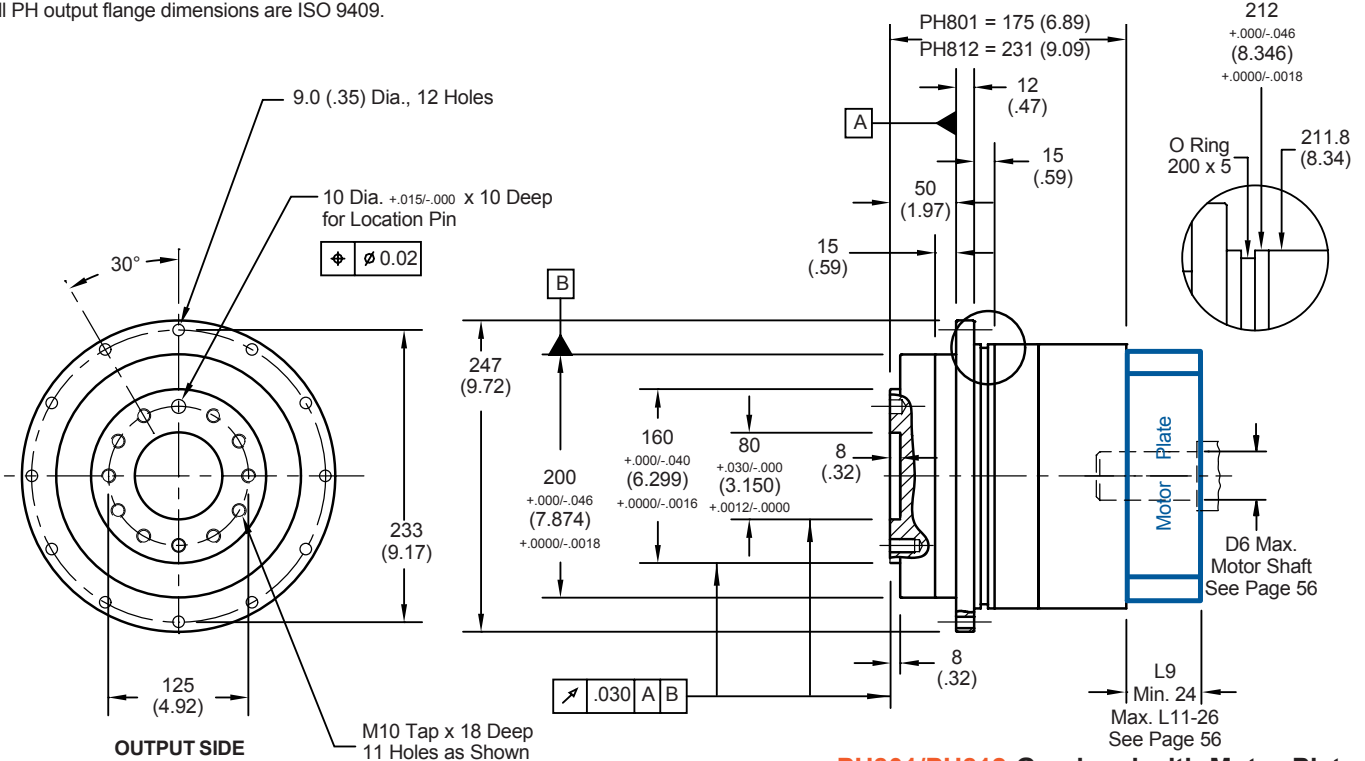
	A6		F7		F8		L7		L8		L9		L10		S8	T8		U7
	mm	ins.	mm	ins.	mm	ins.	mm	ins.	mm	ins.	mm	ins.	mm	ins.		mm	ins.	
PH701	151.8	5.98	16	0.63	18	0.71	58	2.28	3	0.12	60	2.36	94	3.70	M12	35	1.38	A10x8x50
PH712	114	4.49	13	0.51	10	0.39	36	1.42	2	0.08	38	1.50	61	2.40	M8	24.5	0.96	A6x6x30



"PH" Series—PowerLine ServoFit® Precision Planetary Gearhead Dimensional Data



Dimension shown in millimeters (inches).
All PH output flange dimensions are ISO 9409.

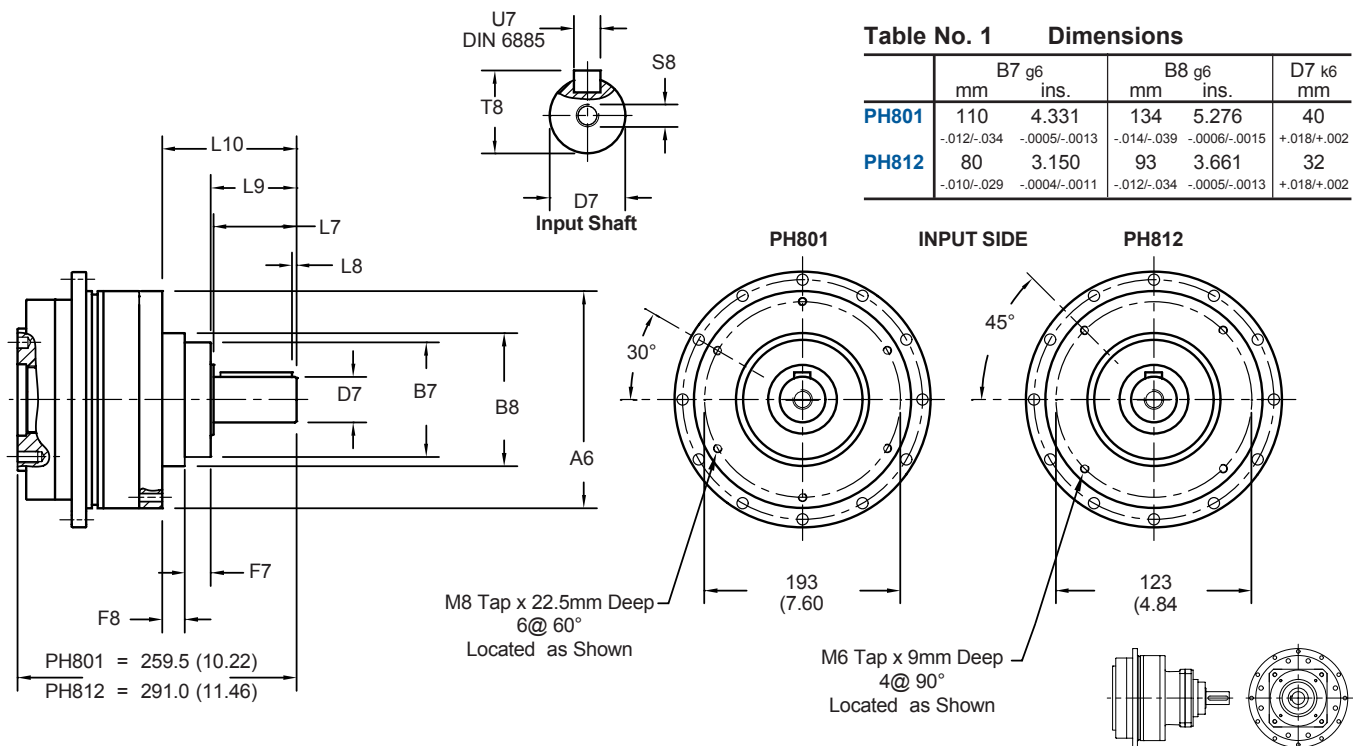


See web site for drawings.

"PH" Series—PowerLine

PH801/PH812 Gearhead with Motor Plate

PH801/PH812 Gearhead with Input Shaft



	B7 g6		B8 g6		D7 k6
	mm	ins.	mm	ins.	mm
PH801	110	4.331	134	5.276	40
	-.012/-0.034	-.0005/-0.0013	-.014/-0.039	-.0006/-0.0015	+0.018/+0.002
PH812	80	3.150	93	3.661	32
	-.010/-0.029	-.0004/-0.0011	-.012/-0.034	-.0005/-0.0013	+0.018/+0.002

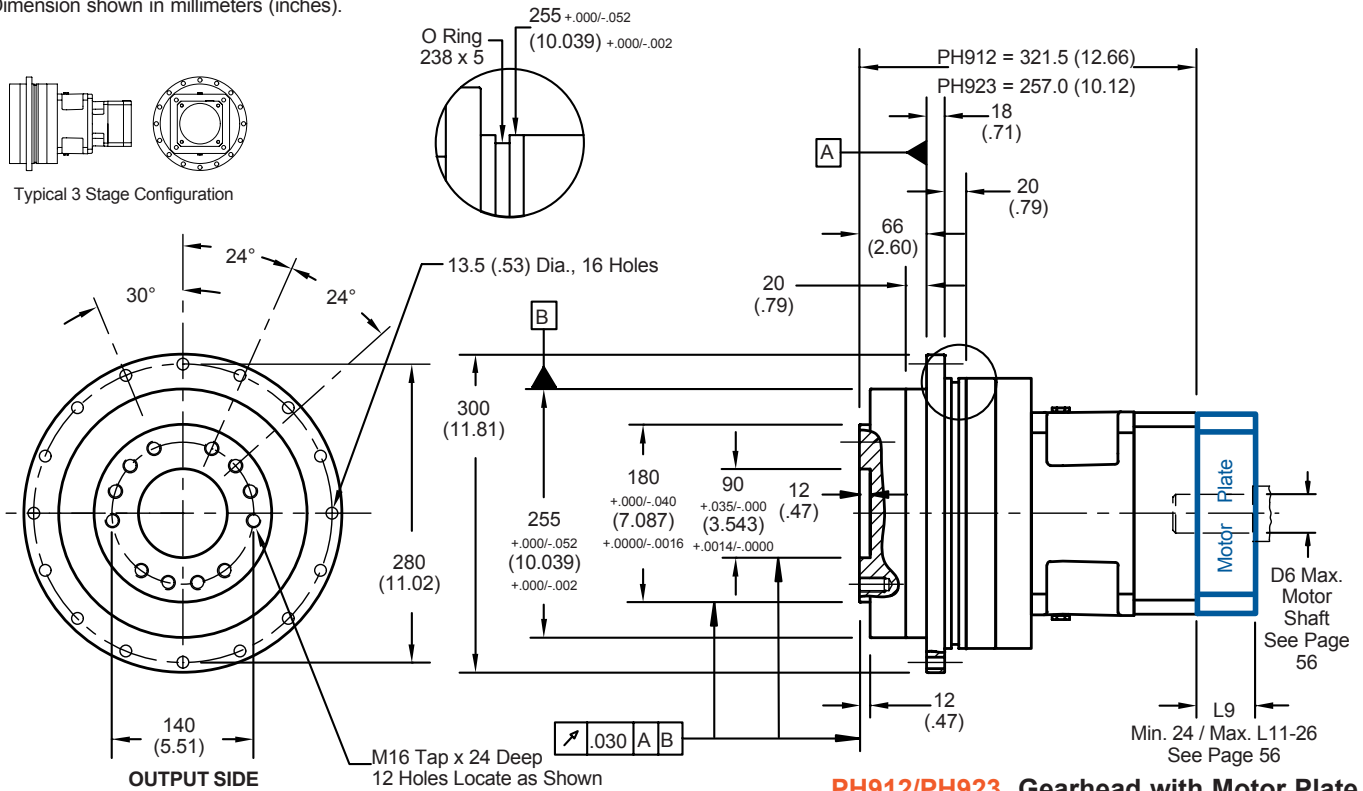
	A6		F7		F8		L7		L8		L9		L10		S8	T8		U7
	mm	ins.	mm	ins.	mm	ins.	mm	ins.	mm	ins.	mm	ins.	mm	ins.		mm	ins.	
PH801	211.8	8.34	14	0.55	21	0.83	82	3.23	4	0.16	84	3.31	119	4.69	M16	43	1.69	A12x8x70
PH812	144	5.67	18	0.71	12	0.47	58	2.28	3	0.12	60	2.36	90	3.54	M12	35	1.38	A10x8x50



"PH" Series—PowerLine ServoFit® Precision Planetary Gearhead Dimensional Data



Dimension shown in millimeters (inches).



PH912/PH923 Gearhead with Motor Plate

PH912/PH923 Gearhead with Input Shaft

See web site for drawings.

"PH" Series—PowerLine

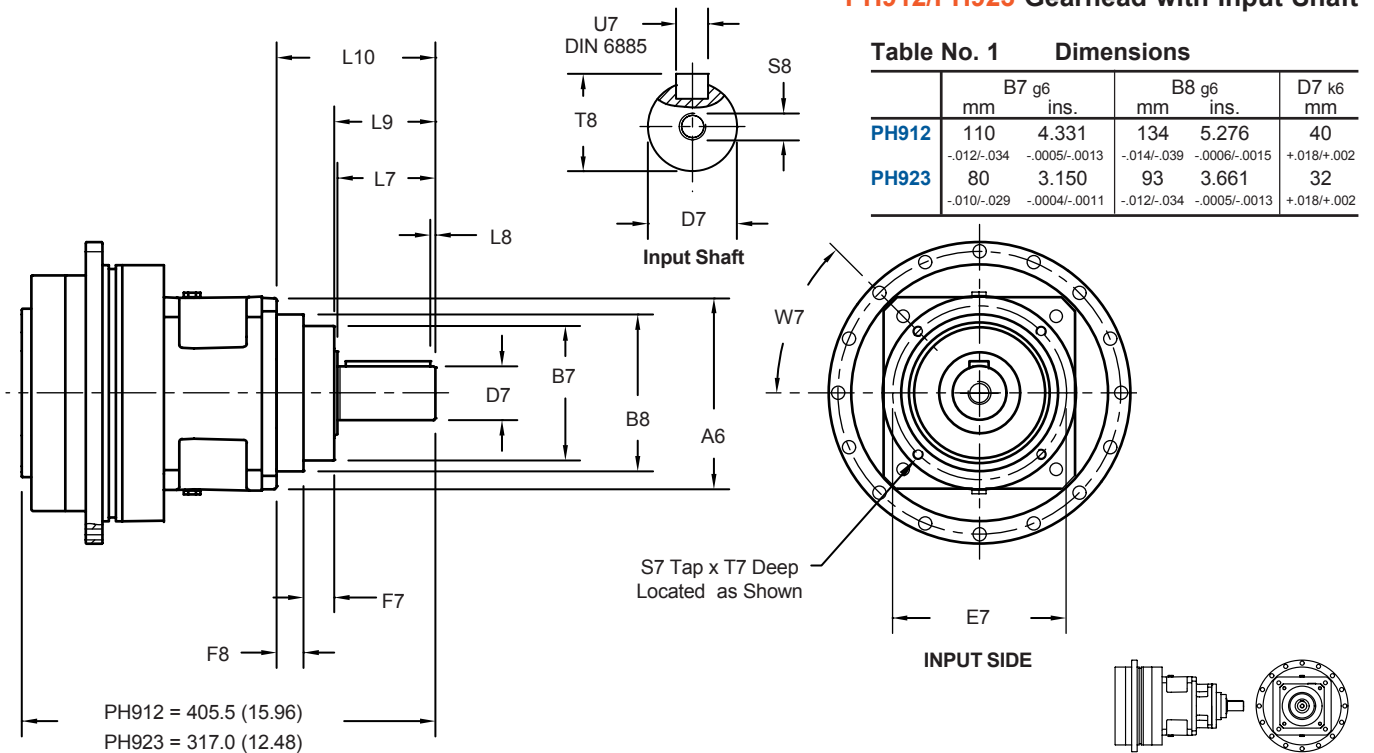


Table No. 1 Dimensions

	B7 g6		B8 g6		D7 k6
	mm	ins.	mm	ins.	mm
PH912	110	4.331	134	5.276	40
	^{-0.012/-0.034}	^{-0.0005/-0.0013}	^{-0.014/-0.039}	^{-0.0006/-0.0015}	^{+0.018/+0.002}
PH923	80	3.150	93	3.661	32
	^{-0.010/-0.029}	^{-0.0004/-0.0011}	^{-0.012/-0.034}	^{-0.0005/-0.0013}	^{+0.018/+0.002}

Table No. 2 "PH912/PH923" Series – Gearhead with Input Shaft – Dimensions

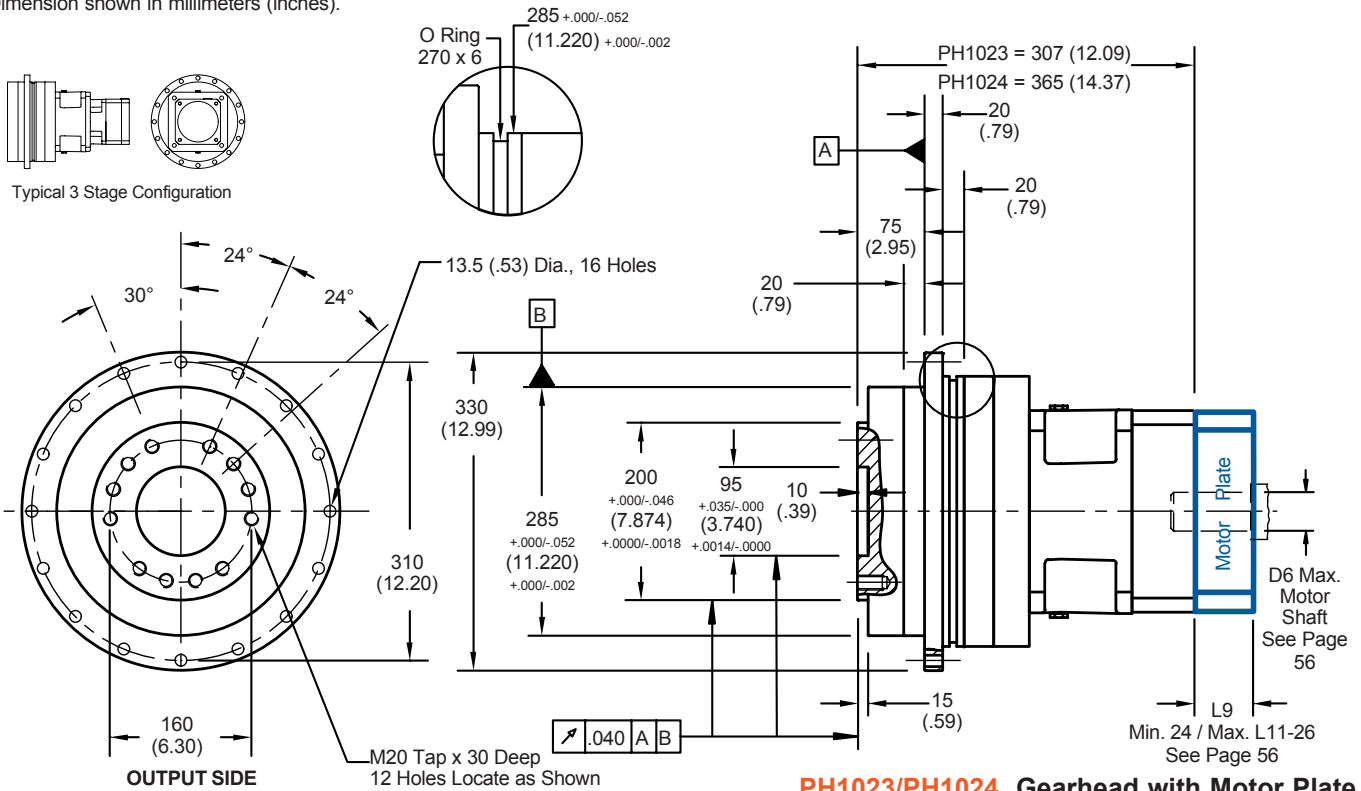
	A6		E7		F7		F8		L7		L8		L9		L10		S7	S8	T7	T8	U7	W7		
	mm	ins.	mm	ins.	mm	ins.	mm	ins.	mm	ins.	mm	ins.	mm	ins.	mm	ins.								
PH912	190	7.48	179	7.05	21	0.83	15	0.59	82	3.23	4	0.16	84	3.31	120	4.72	M8	M16	12	0.47	43	1.69	A12x8x70	45°, 4@90°
PH923	151.8	5.98	137	5.39	16	0.63	18	0.71	58	2.28	3	0.12	60	2.36	94	3.70	M6	M12	16	0.63	35	1.38	A10x8x50	30°, 6@60°



"PH" Series—PowerLine ServoFit® Precision Planetary Gearhead Dimensional Data



Dimension shown in millimeters (inches).



PH1023/PH1024 Gearhead with Motor Plate

PH1023/PH1024 Gearhead with Input Shaft

See web site for drawings.

"PH" Series—PowerLine

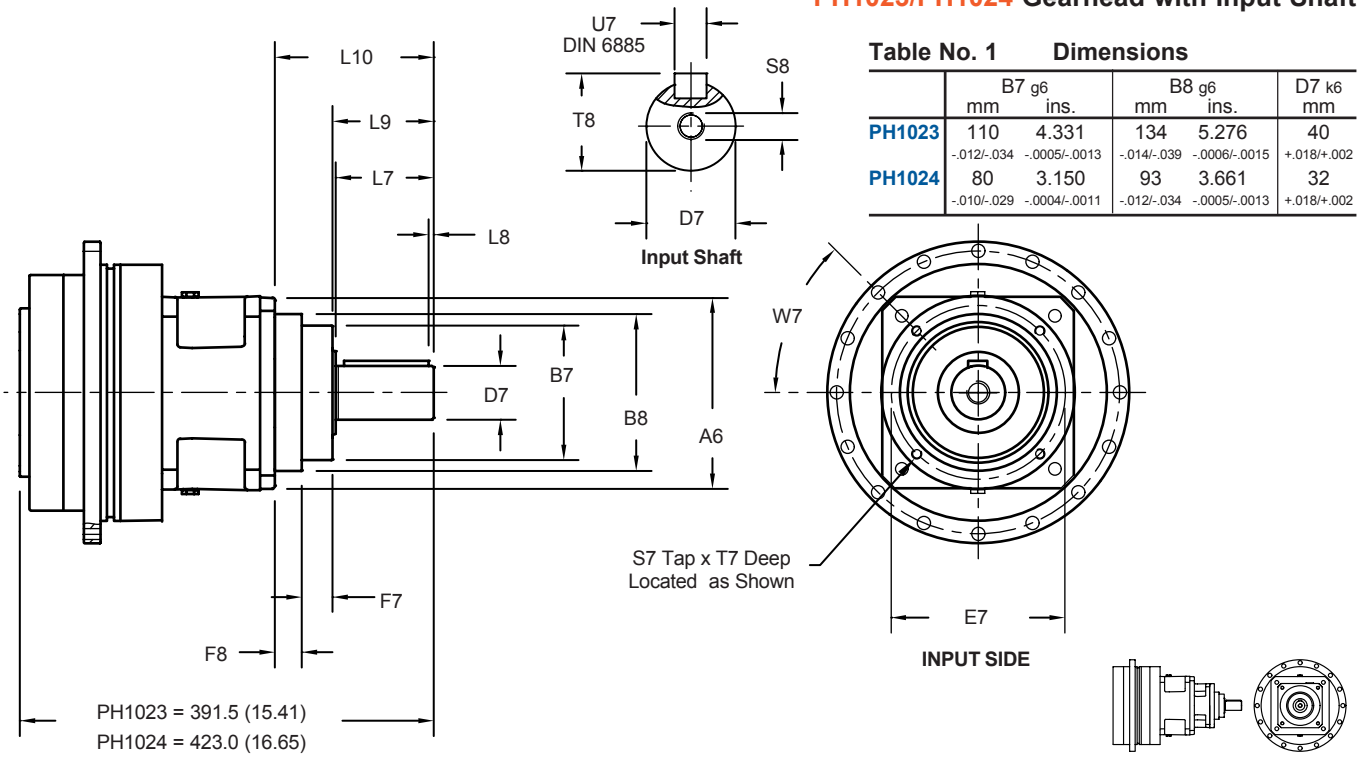


Table No. 1 Dimensions

	B7 g6		B8 g6		D7 k6
	mm	ins.	mm	ins.	mm
PH1023	110	4.331	134	5.276	40
	-0.012/-0.034	-0.0005/-0.0013	-0.014/-0.039	-0.0006/-0.0015	+0.018/+0.002
PH1024	80	3.150	93	3.661	32
	-0.010/-0.029	-0.0004/-0.0011	-0.012/-0.034	-0.0005/-0.0013	+0.018/+0.002

Table No. 2 "PH1023/PH1024" Series – Gearhead with Input Shaft – Dimensions

	A6		E7		F7		F8		L7		L8		L9		L10		S7	S8	T7	T8	U7	W7		
	mm	ins.	mm	ins.	mm	ins.	mm	ins.	mm	ins.	mm	ins.	mm	ins.	mm	ins.	mm	ins.	mm	ins.				
PH1023	211.8	8.34	179	7.05	21	0.83	15	0.59	82	3.23	4	0.16	84	3.31	119	4.68	M8	M16	22.5	0.89	43	1.69	A12x8x70	30°, 6@60°
PH1024	144	5.67	193	7.59	14	0.55	21	0.83	58	2.28	3	0.12	60	2.36	94	3.70	M6	M12	9	0.63	35	1.38	A10x8x50	45°, 4@90°